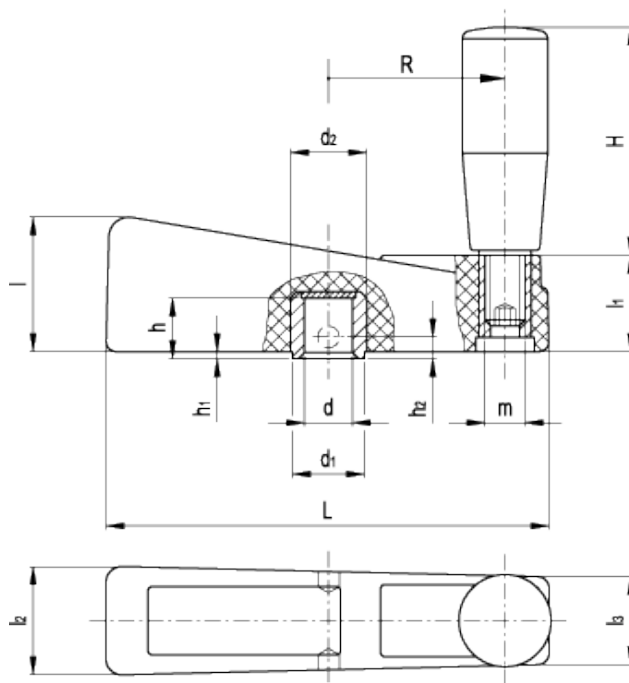


ME.

Balanced crank handles with revolving handle



ELESA Original design



technical informations

Material

Reinforced phenolic based (PF) Duroplast. Polyamide based (PA) technopolymer for ME.95.
Resistant to solvents, oils, greases and other chemical agents.
Balancing by means of an incorporated counterweight.

Colour

Black, glossy finish.

Assembly

Black-oxide steel hub, H7 reamed hole.

ME. balanced crank handles are provided with centres already drilled for pinning to shaft. Use pins with smaller diameter than that of the hole already drilled in the plastic material to avoid local stress.

Front plate

Matte anodised aluminium (ELESA original design).

Revolving handle

Type [L.301+x](#) phenolic based (PF) Duroplast, black colour, glossy finish.

| Standard Elements | | Main dimensions | | | | | | | | | | Bore | | Handle | | | Weight |
|-------------------|-------------|-----------------|----|----------------|----------------|----------------|----------------|----------------|----------------|----------------|-----------------|------|----|--------|----|-----|--------|
| Code | Description | L | l | l ₁ | l ₂ | l ₃ | d ₁ | d ₂ | h ₁ | h ₂ | d _{H7} | h | H | m | R | g | |
| 38001 | ME.65 | 65 | 23 | 18 | 22 | 19 | 13 | 14 | 1.5 | 6.5 | 8 | 13 | 40 | M6 | 23 | 93 | |
| 38101 | ME.80 | 80 | 26 | 20 | 24 | 20 | 14 | 15 | 1.5 | 8 | 10 | 16 | 40 | M6 | 30 | 102 | |
| 38201 | ME.95 | 94 | 29 | 22 | 26 | 22 | 14 | 15 | 1.5 | 8 | 10 | 19 | 50 | M8 | 36 | 133 | |
| 38301 | ME.110 | 110 | 34 | 24 | 28 | 22 | 18 | 19 | 1.5 | 9 | 12 | 17.5 | 65 | M10 | 44 | 260 | |
| 38401 | ME.140 | 140 | 37 | 26 | 30 | 24 | 18 | 19 | 1.5 | 9 | 12 | 17.5 | 80 | M10 | 57 | 335 | |

This product had the following design awards:



ELESA and GANTER models all rights reserved in accordance with the law. Always mention the source when reproducing our drawings.

STANDARD MACHINE ELEMENTS WORLDWIDE